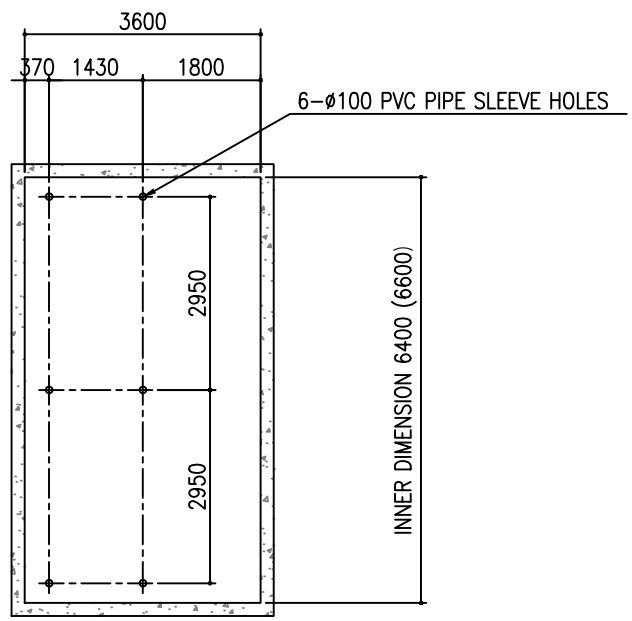
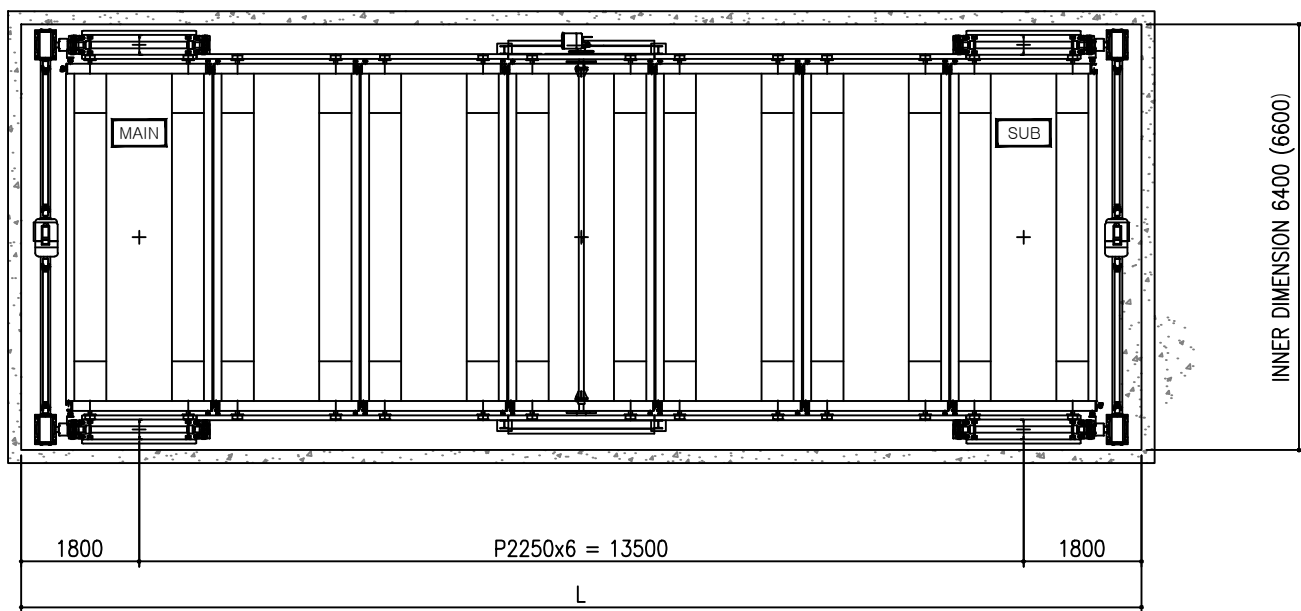


Entrance Plan

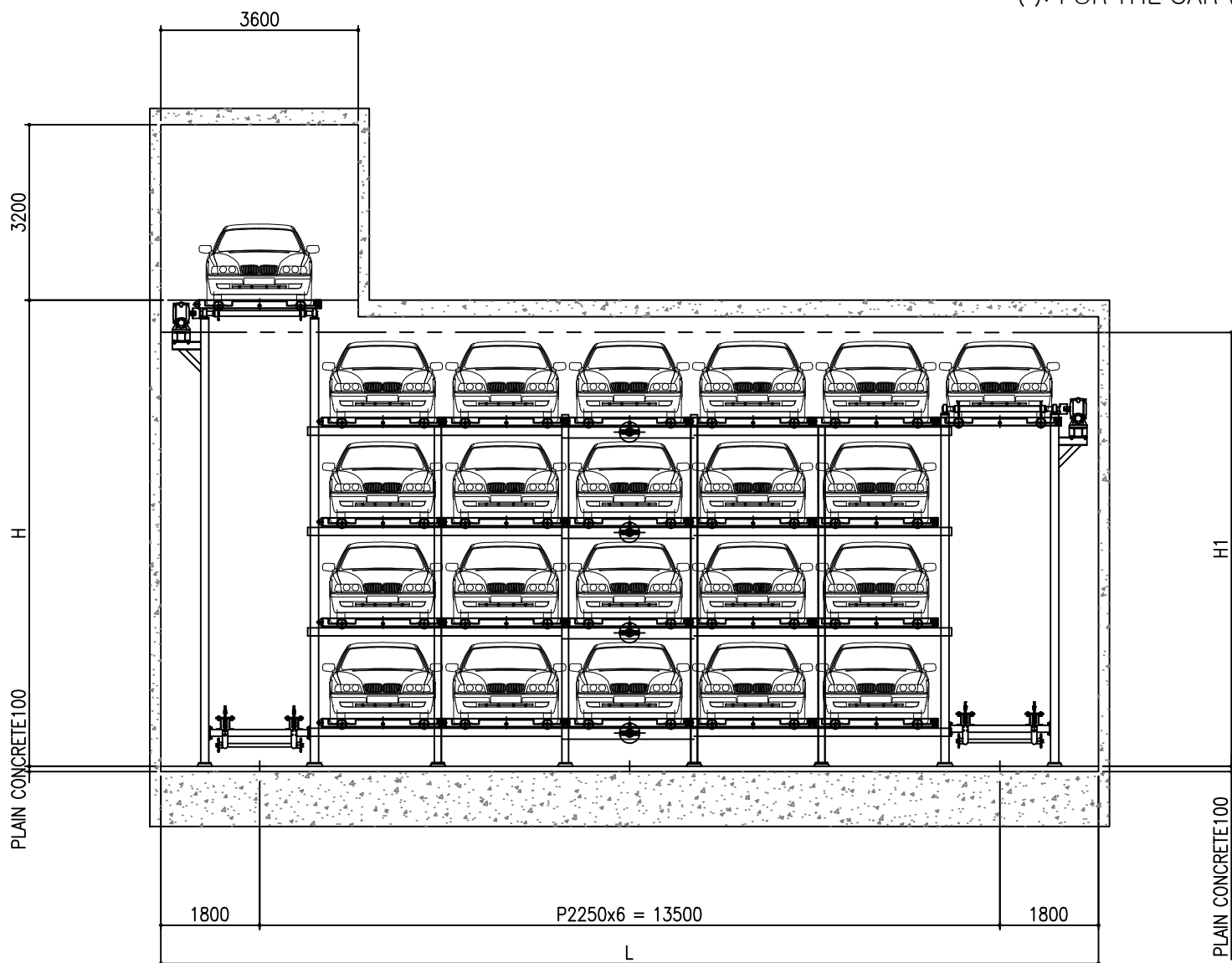


Hoisting Hook Plan



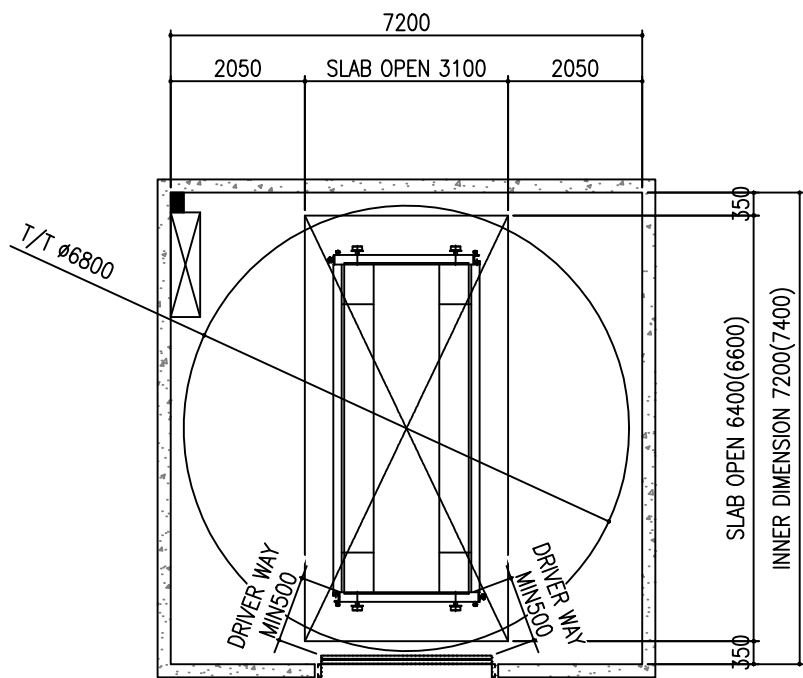
Parking Plan

\* ( ): FOR THE CAR WITH LENGTH 5,275MM

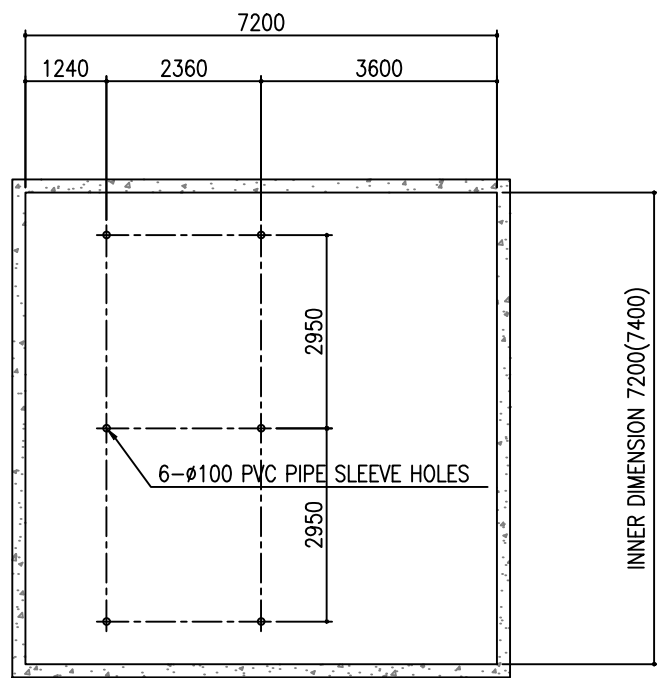


Section View

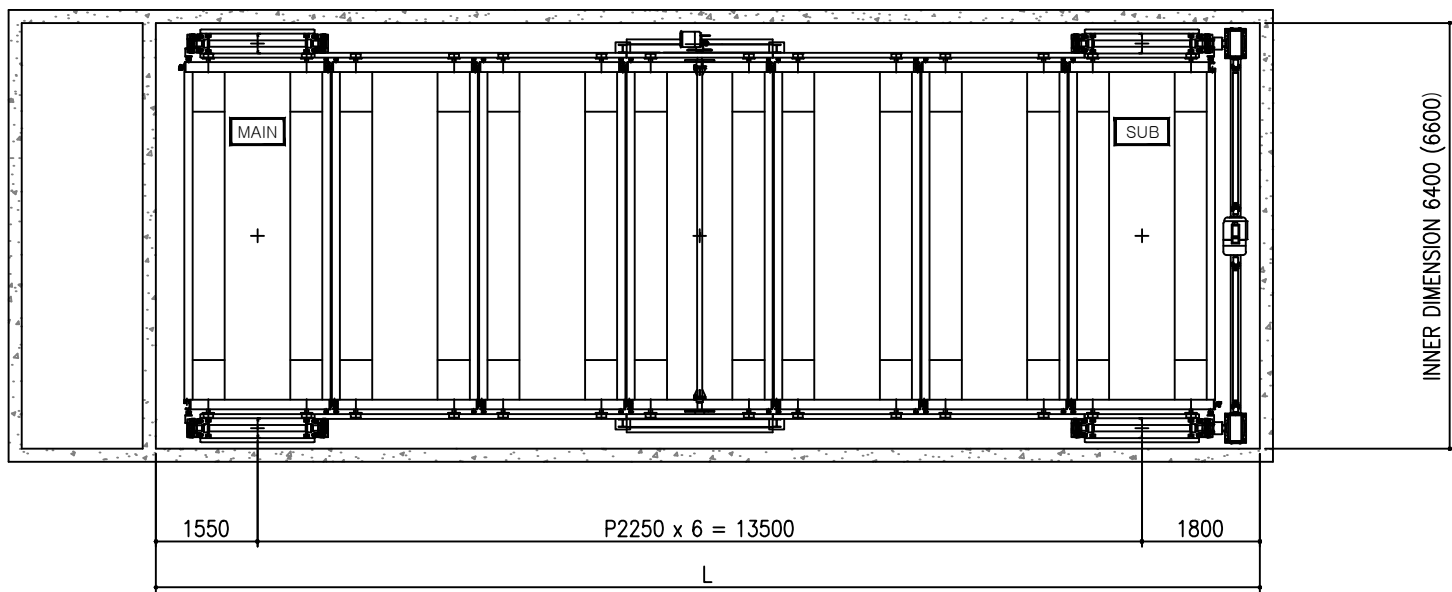
- \* FIREFIGHTING SYSTEM & PLAIN CONCRETE ARE NOT CONSIDERED
- \* FOR ALL SEDAN
- \* SUV IS AVAILABLE (PLEASE CONTACT US)



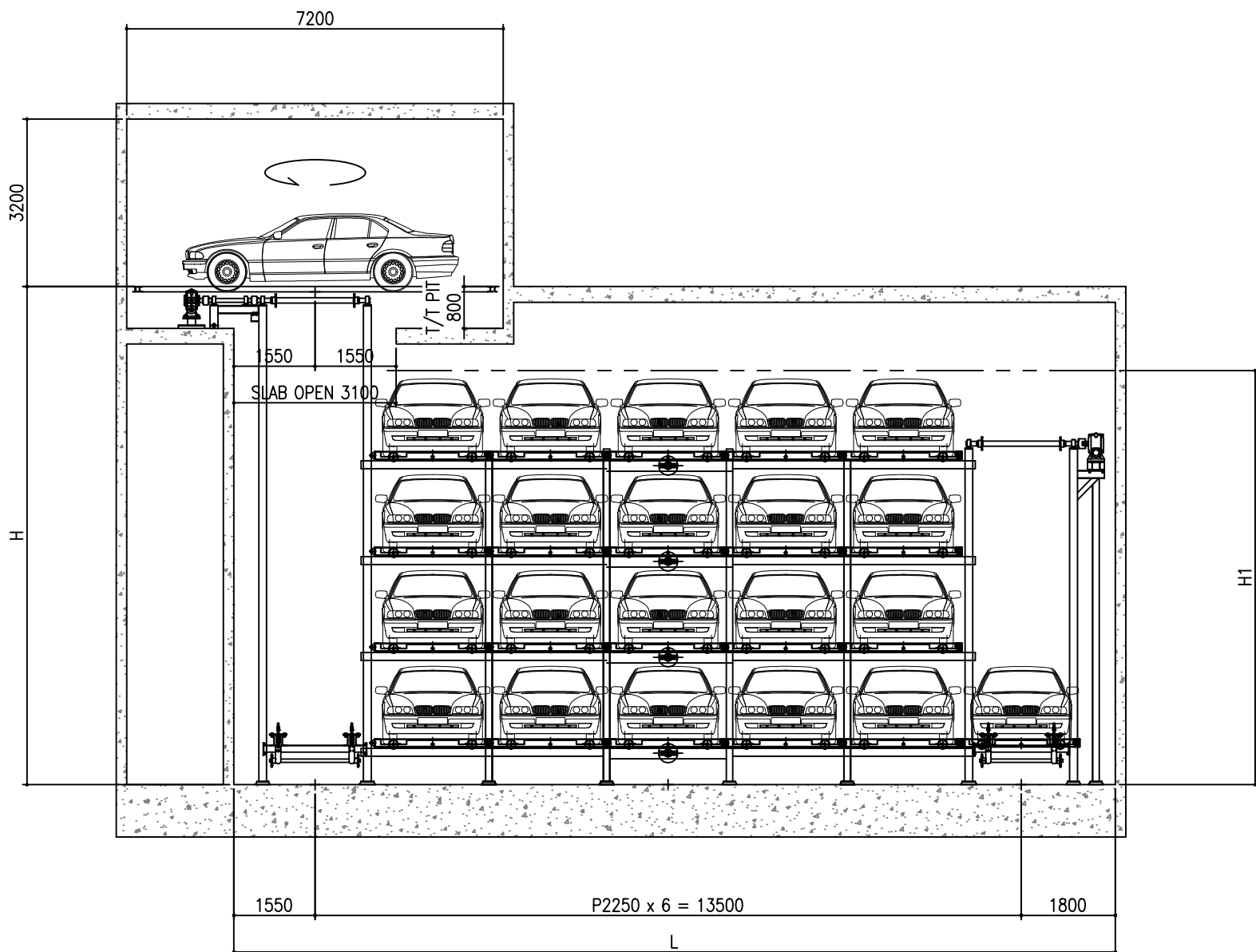
Entrance Plan



Hoisting Hook Plan

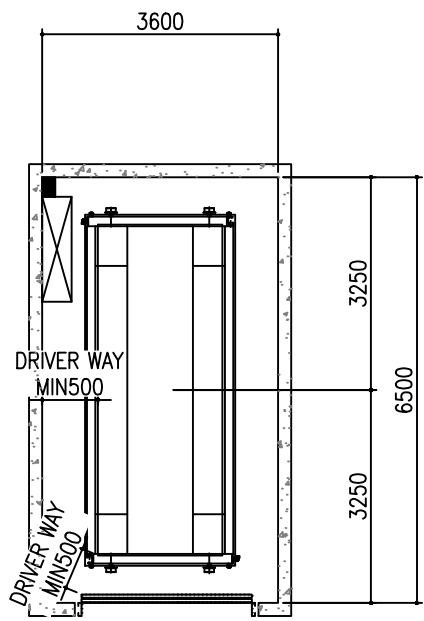


Parking Plan

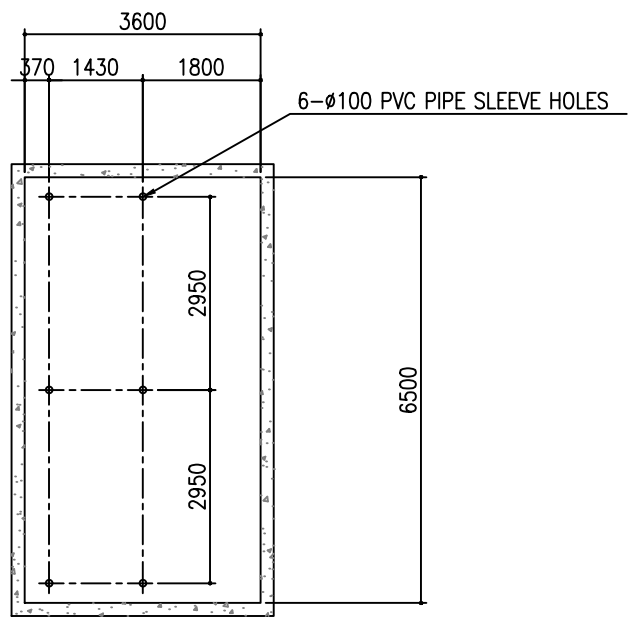


Section View

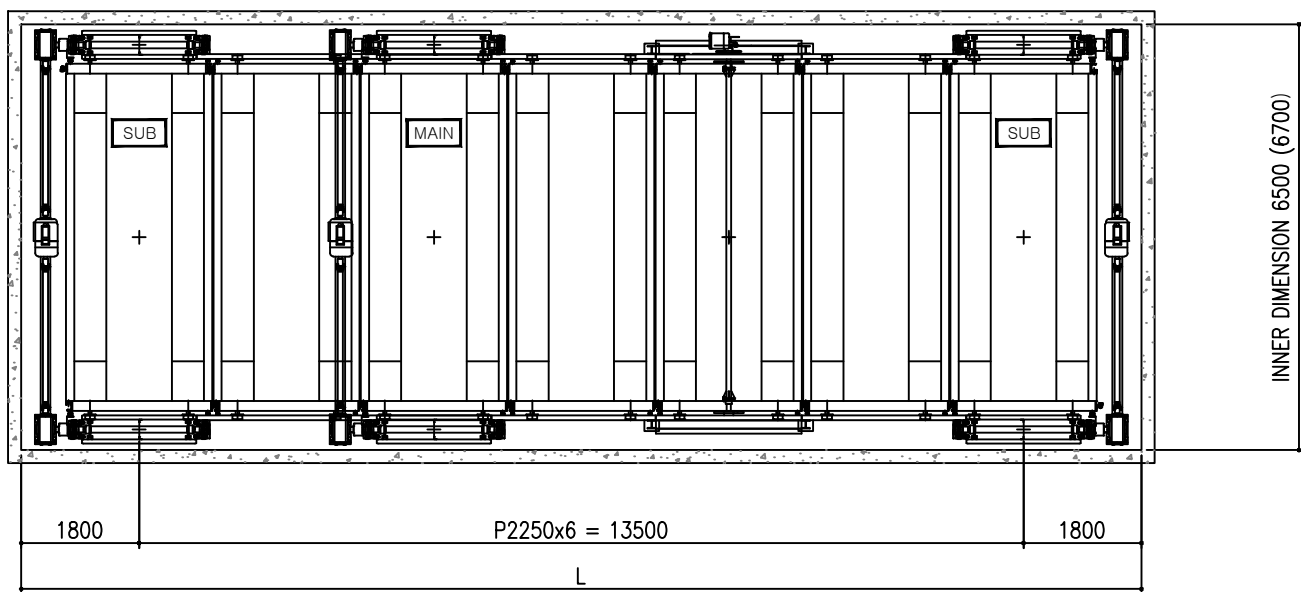
- \* FIREFIGHTING SYSTEM & PLAIN CONCRETE ARE NOT CONSIDERED
- \* FOR ALL SEDAN
- \* SUV IS AVAILABLE (PLEASE CONTACT US)



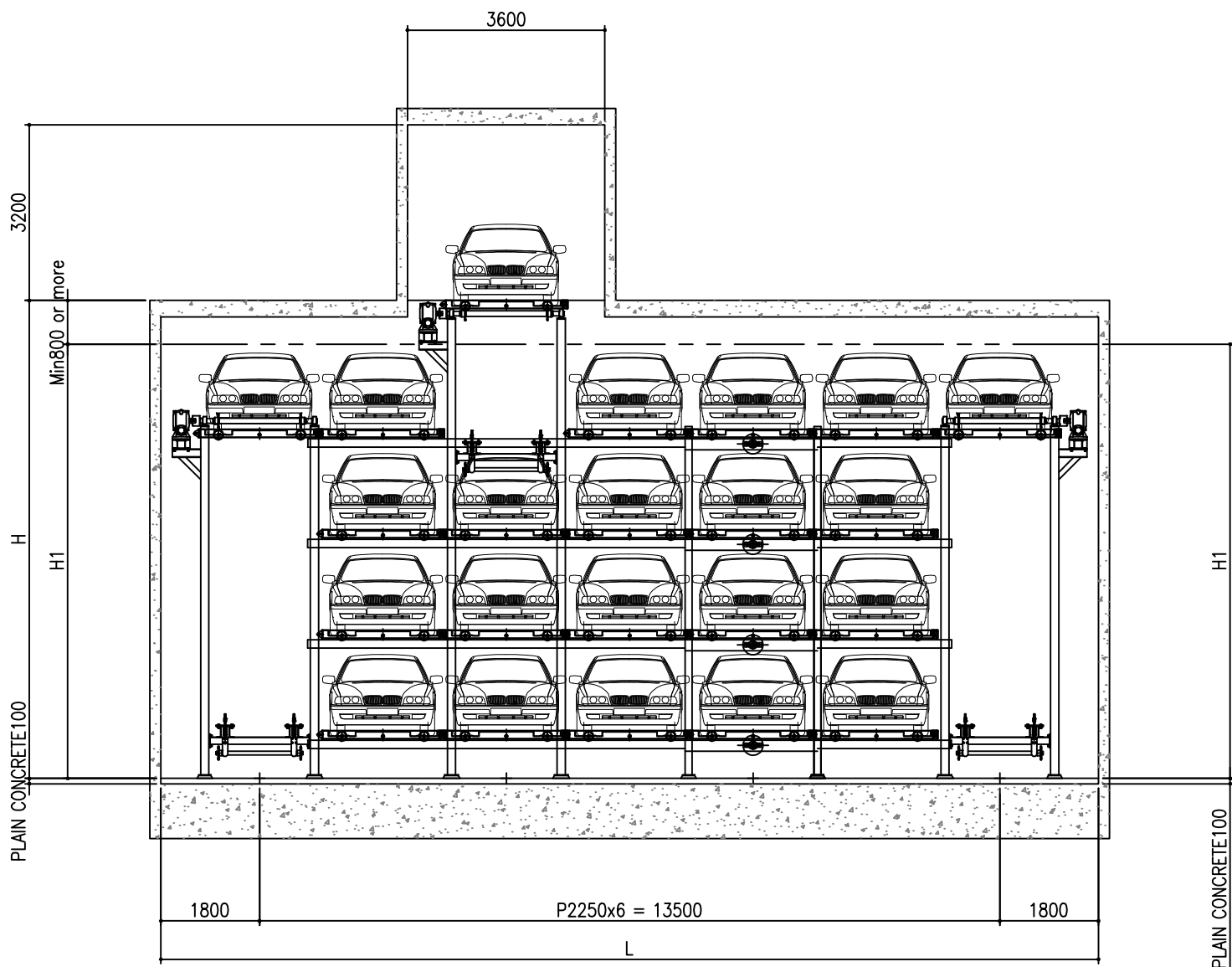
Entrance Plan



Hoisting Hook Plan

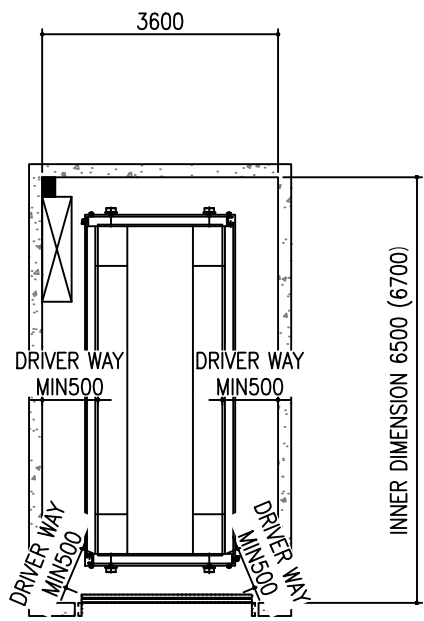


Parking Plan

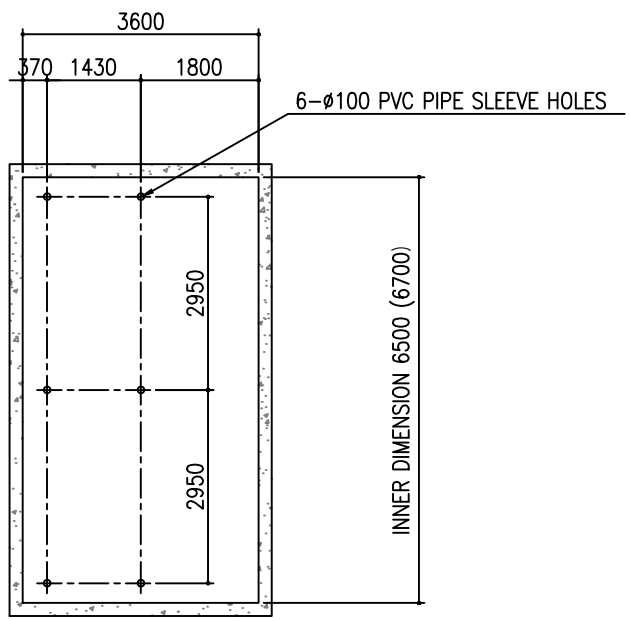


Section View

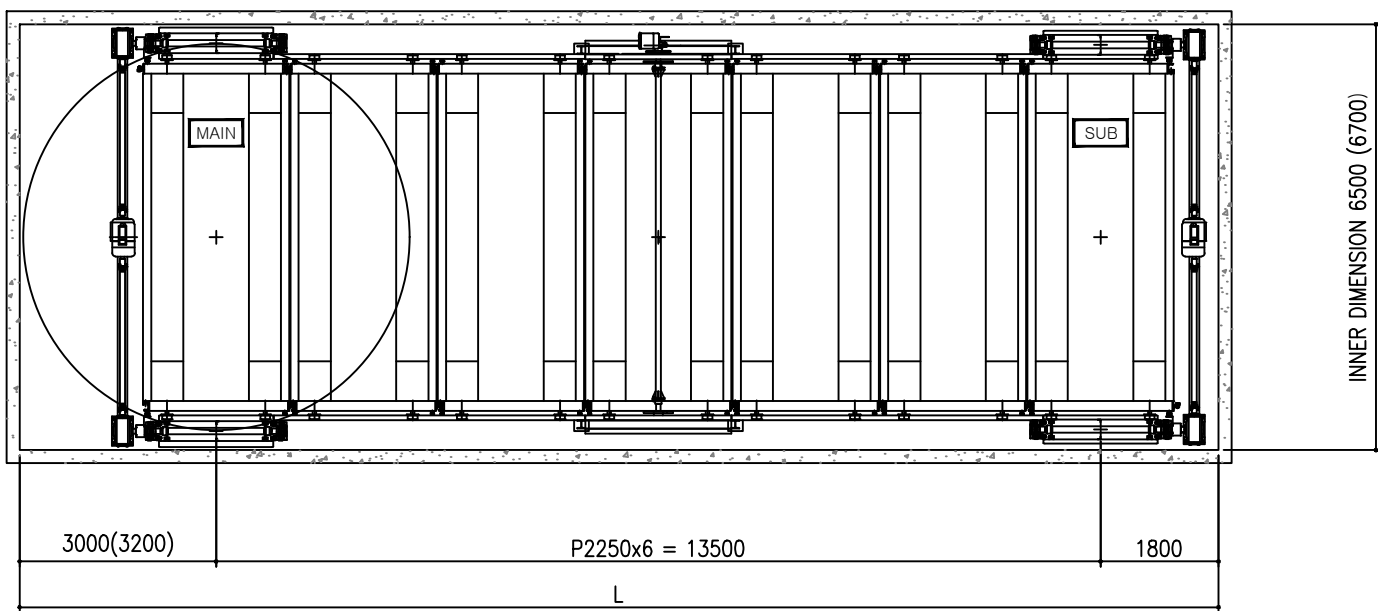
- \* FIREFIGHTING SYSTEM & PLAIN CONCRETE ARE NOT CONSIDERED
- \* FOR ALL SEDAN
- \* SUV IS AVAILABLE (PLEASE CONTACT US)



Entrance Plan

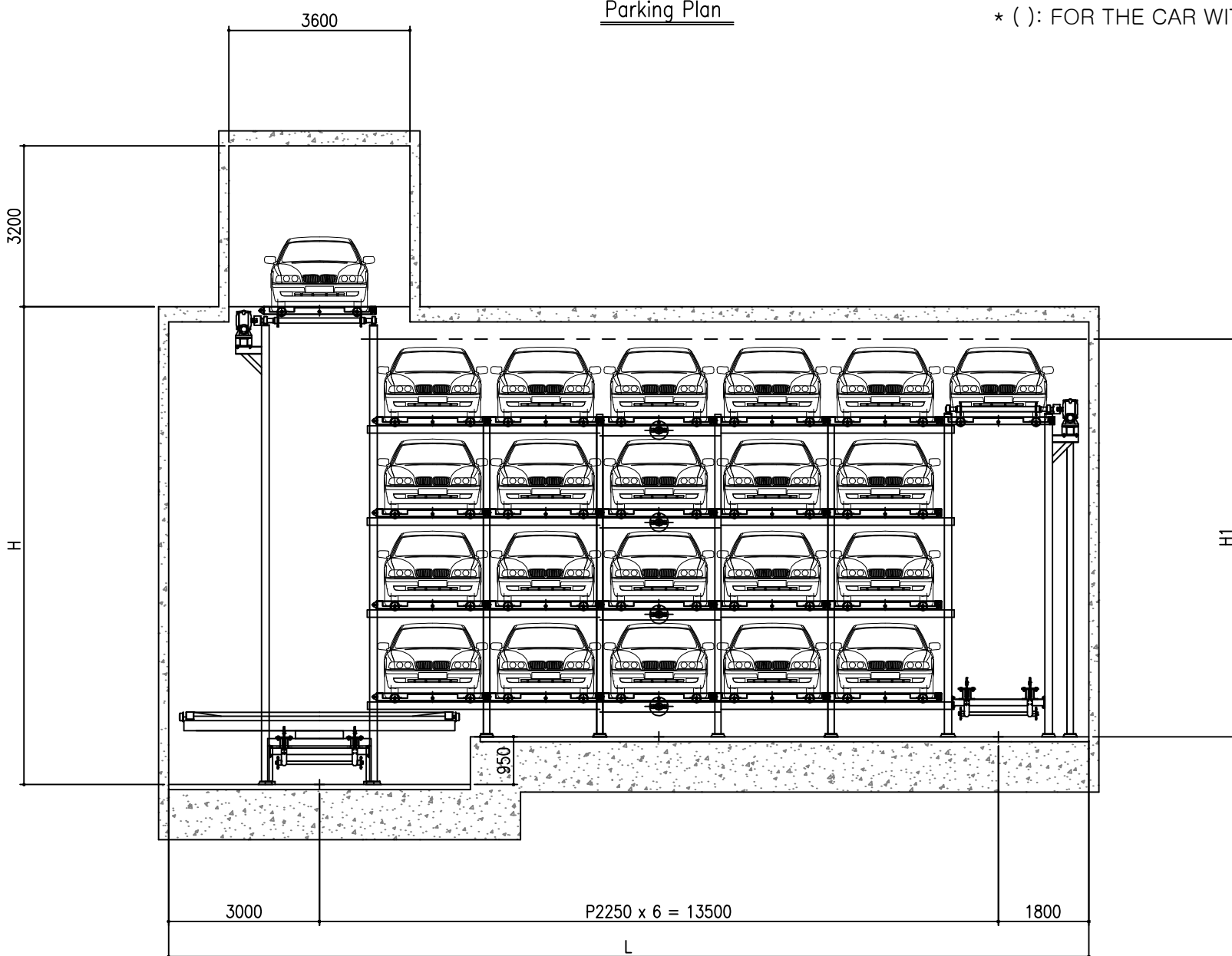


Hoisting Hook Plan



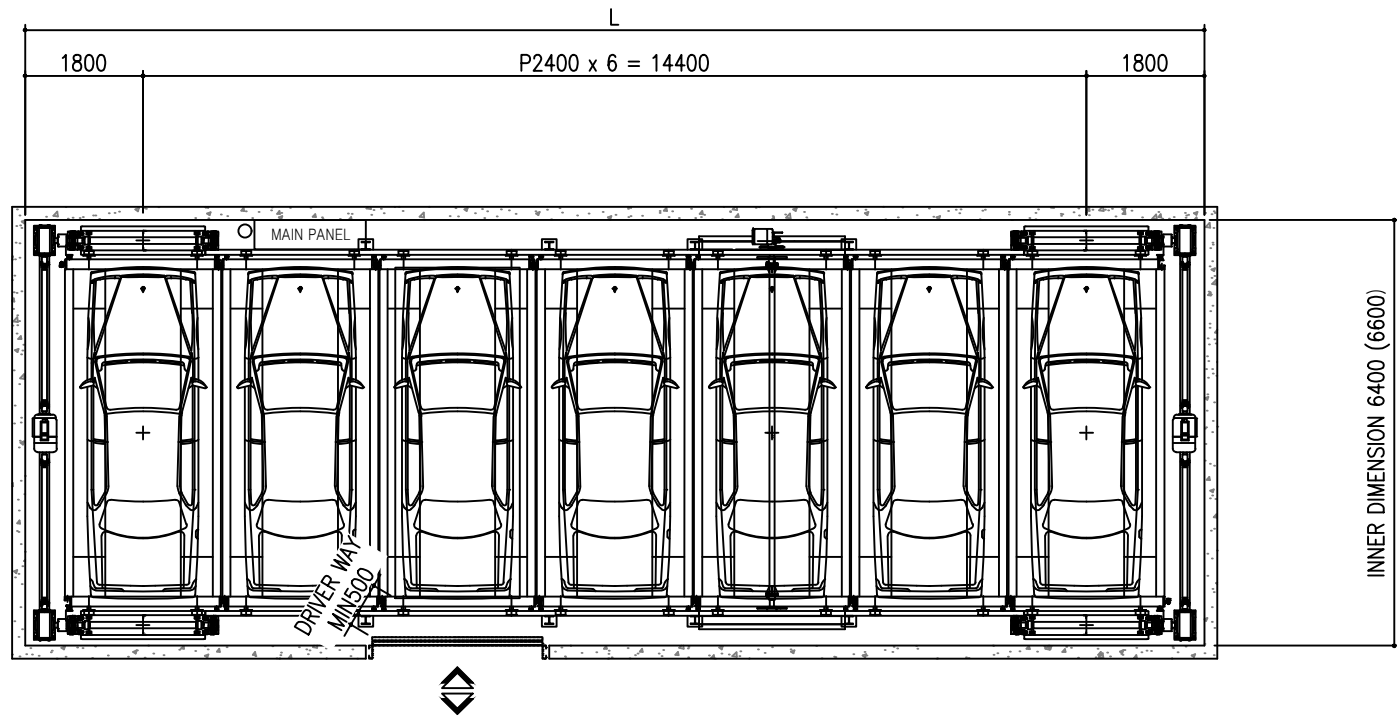
Parking Plan

\* ( ): FOR THE CAR WITH LENGTH 5,275MM



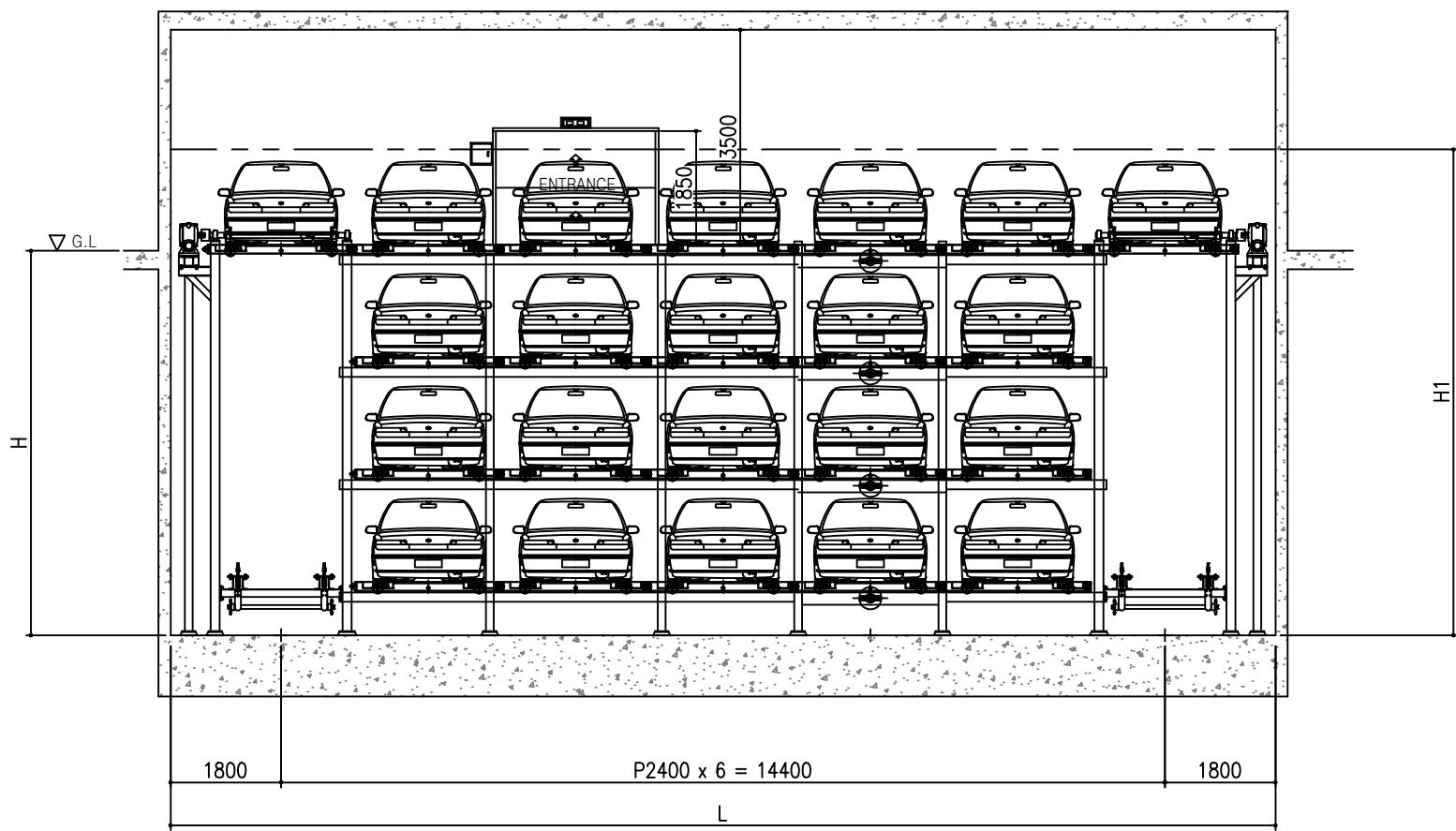
Section View

- \* FIREFIGHTING SYSTEM & PLAIN CONCRETE ARE NOT CONSIDERED
- \* FOR ALL SEDAN
- \* SUV IS AVAILABLE (PLEASE CONTACT US)



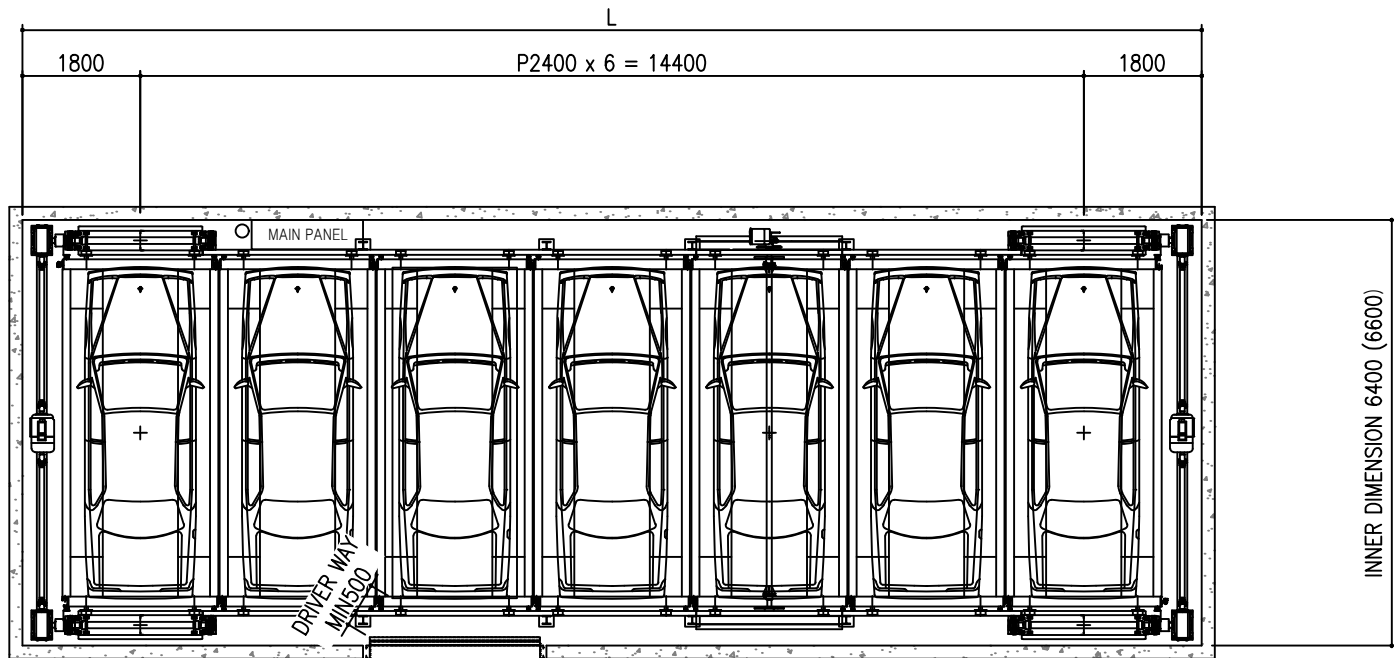
Entrance Plan

\* ( ): FOR THE CAR WITH LENGTH 5,275MM



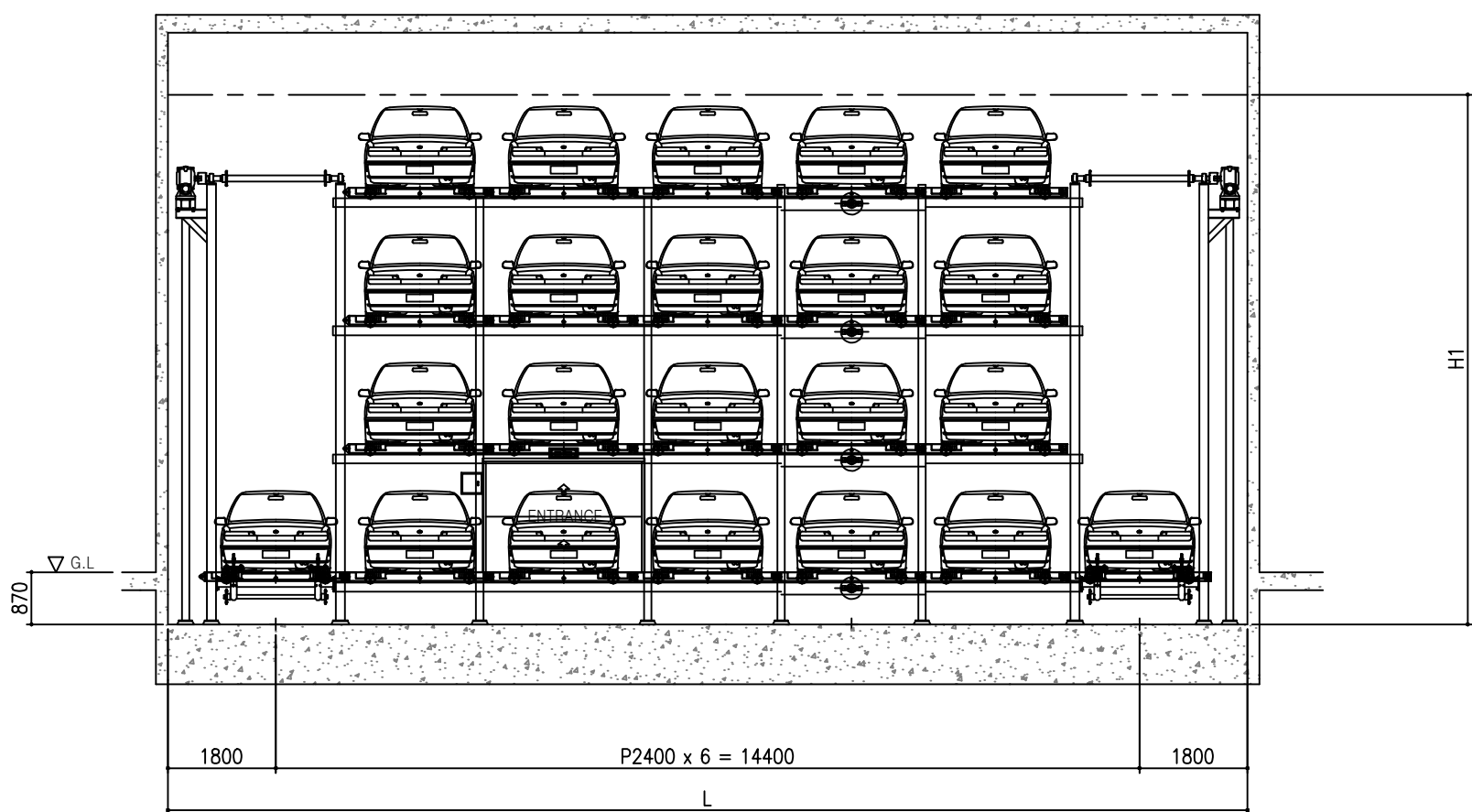
Section View

- \* FIREFIGHTING SYSTEM & PLAIN CONCRETE ARE NOT CONSIDERED
- \* FOR ALL SEDAN
- \* SUV IS AVAILABLE (PLEASE CONTACT US)



Entrance Plan

\* ( ): FOR THE CAR WITH LENGTH 5,275MM



Section View

- \* FIREFIGHTING SYSTEM & PLAIN CONCRETE ARE NOT CONSIDERED
- \* FOR ALL SEDAN
- \* SUV IS AVAILABLE (PLEASE CONTACT US)